



MS7120 Orbit®

Features

- **Fully automatic scanning operation**
- **PowerLink, user-replaceable cables**
- **MetroSet™ and MetroSelect™ configuration**
- **7 beeper tones**
- **Programmable depth of field**
- **Bits 'n' Pieces™ data editing**
- **Mount on wall or counter**
- **MetrOPOS™ compatible**

Orbit® is an aggressive, omnidirectional presentation laser bar code scanner.

Lightweight and rugged, Orbit is small in size but BIG in performance.

Designed for applications where counter space is at a premium, Orbit is the ideal presentation scanner for retail, convenience, liquor and specialty stores. In addition, Orbit's unique, contoured shape allows it to be picked up and used as a hand-held when scanning large or bulky items.

Engineered with a large, easy-to-find sweet spot, Orbit increases first pass read rate for

maximum productivity. The scanning head can be tilted vertically a full 30° for added flexibility when scanning various sized objects. Orbit has a patented 20-line omnidirectional scan pattern that produces 1,200 scan lines per second. These features increase the scanning throughput, without increasing Orbit's size.

Orbit is engineered for easy configuration and utilizes user-replaceable cables, in order to meet the multiple application needs across the many markets it serves. Data editing or "parsing" is also a standard feature. Parsing enables the encoded information to be manipulated to meet the host system's requirements.



MS7120 Orbit®

OPERATIONAL

Light Source	Visible Laser Diode 675 nm ± 5 nm
Laser Power	0.681 mW (peak)
Depth of Scan Field (programmable)	0 mm - 215 mm (0" - 8.5") for 0.33 mm (13 mil) bar codes
Width of Scan Field	60 mm (2.4") @ face; 105 mm (4.1") @ 216 mm (8.5")
Scan Speed	1200 scan lines per second
Scan Pattern	5 fields of 4 parallel lines (omnidirectional)
Number of Scan Lines	20
Minimum Bar Width	0.13 mm (5.2 mil)
Decode Capability	Autodiscriminates all standard bar codes; for other symbologies call Metrologic
System Interfaces	PC Keyboard Wedge, RS232, OCIA, Light Pen, IBM 468X/469X, Stand Alone Keyboard
Print Contrast	35% minimum reflectance difference
Number Characters Read	Up to 80 data characters
Roll, Pitch, Yaw	360°, 60°, 60°
Beeper Operation	7 tones or no beep
Indicators (LED)	Green* = laser on, ready to scan Red* = good read

* Indicator colors can be reversed

MECHANICAL

Height	150 mm (5.9")
Depth	105 mm (4.1")
Width - Orb	80 mm (3.1")
Width - Base	102 mm (4.0")
Weight	380 grams (13.4 oz)
Termination	10 pin modular RJ45
Cable	Standard 2.1 m (7') straight; optional 2.7 m (9') coiled; for other cables call Metrologic
Tilt - Orb	30° vertical

ELECTRICAL

Input Voltage	5 VDC ± 0.25 V
Power	1.1 W typical @ 5 VDC
Operating Current	220 mA
DC Transformers	Class 2; 5.2 V @ 650 mA
Laser Class	CDRH: Class IIa; EN60825-1:1994/A11:1996 Class 1
EMC	FCC Class A, CISPR Class A

ENVIRONMENTAL

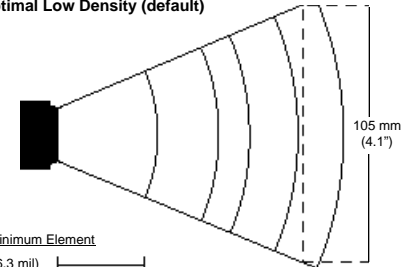
Operating Temperature	0°C to 40°C (32°F to 104°F)
Storage Temperature	-40°C to 60°C (-40°F to 140°F)
Humidity	5% to 95% relative humidity, non-condensing
Light Levels	Up to 4842 Lux (450 footcandles)
Shock	Designed to withstand 1 m (3.1') drops
Contaminants	Sealed to resist airborne particulate contaminants
Ventilation	None required

Specifications subject to change without notice.
Printed U.S.A., Copyright January 2000.
Metrologic, All rights reserved.
MLPN: DSMS7120



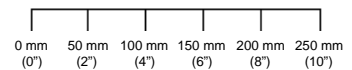
Scan Area

Optimal Low Density (default)

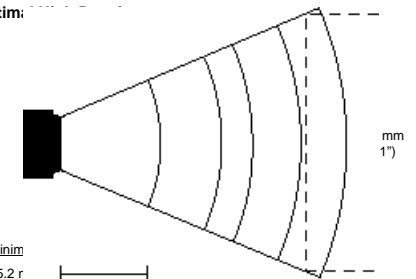


Bar Code Minimum Element

0.160 mm (6.3 mil)
0.191 mm (7.5 mil)
0.264 mm (10.4 mil)
0.330 mm (13.0 mil)
0.533 mm (21.0 mil)

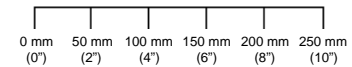


Optim:

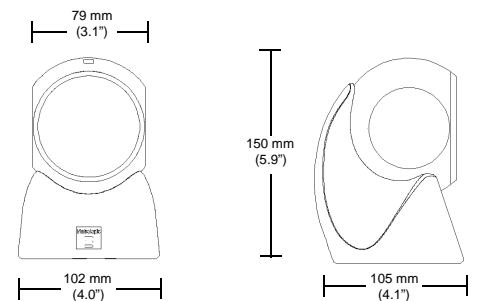


Bar Code Minim

0.132 mm (5.2 r)
0.160 mm (6.3 r)
0.191 mm (7.5 r)
0.264 mm (10.4
0.330 mm (13.0



Dimensions



USA
Metrologic Instruments, Inc.
Tel. 1-800-ID-METRO
Fax 1-856-228-6673
info@metrologic.com

Europe
Metrologic Instruments GmbH
Tel. 49-89-89019-0
Fax 49-89-89019-200
info@europe.metrologic.com

South America
Metrologic Instruments
Tel. 5511-5505-6568
Fax 5511-5505-1681
info@sa.metrologic.com

Brazil
Metrologic do Brasil Ltda.
Tel. 5511-5505-2396
Fax 5511-5507-2301
info@br.metrologic.com

Asia
Metrologic Asia (Pte) Ltd.
Tel. 65-842-7155
Fax 65-842-7166
info@sg.metrologic.com

Metrologic Instruments, Inc. | 90 Coles Rd. | Blackwood, New Jersey 08012-4683
Telephone 856-228-8100 or 1-800-ID-METRO | Fax 856-228-6673

Metrologic®

www.metrologic.com